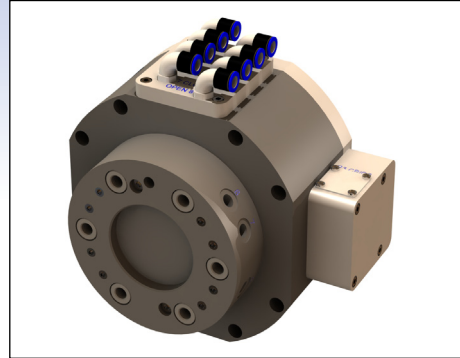
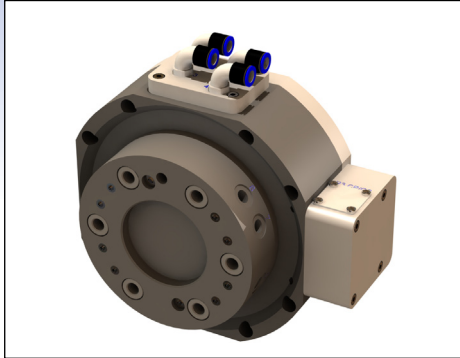




Material handling Swivel S100



Swivels

The new generation of Swivels provide air supply and electrical signals without limiting your robots motion capabilities. You can spin the 6:th axis free from hoses, cables and other obstacles. The low weight, high corrosion resistance and minimum servicing will shorten your cycle-times, enhance your productivity and minimize downtime in any application involving substantial robot motions.

Advantages:

- No limitation of robot working space
- Fast and efficient retooling
- Minimum installation time
- Easier to reach tight positions due to fixed hosing and slim design
- Accurate off-line programming due to full control of hose movements

Technical data

Swivel	Part no.	Handling capacity (kg)	Mechanical interface	Air ducts	Electrical signals	Weight (kg)	Max rpm	Max torque (Nm)
S100-4	P0410	100	100-6-M10	4	-	4,1	-	1000
S100-8	P0412	100	100-6-M10	8	-	5,5	-	1000
S100-4E	P0411	100	100-6-M10	4	12	4,2	-	1000
S100-8E	P0413	100	100-6-M10	8	12	5,6	-	1000

Air ducts

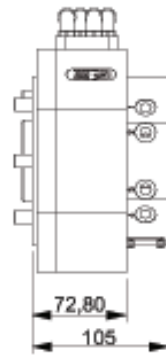
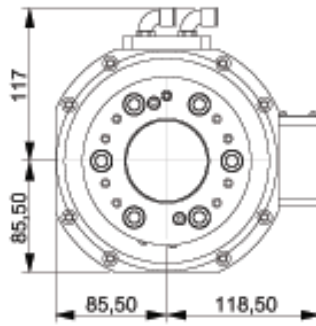
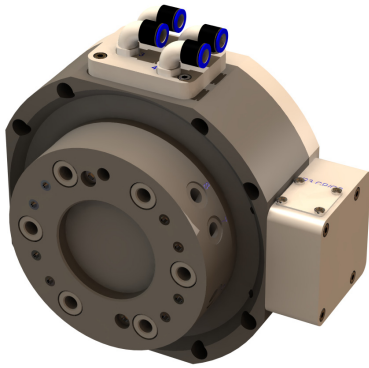
Max air pressure	10 bar
Tool change function	?-10 bar
Air flow	600 l/min
Air quality	Oil-clean and waterless filtered air, max 25 µm
Air connections	Robotside: G 1/8" / Toolside: G 1/8"

Electrical signals

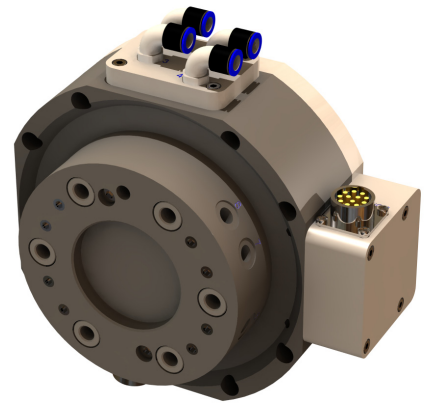
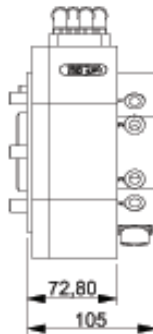
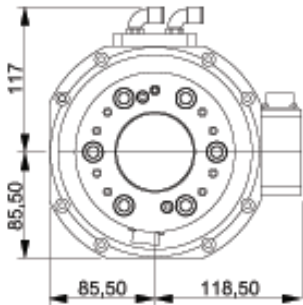
Max voltage	60 V
Max current	1,0 A
Connections	Robotside: 12 pole Souriau / Toolside: 12 pole Souriau

Dimensional drawings

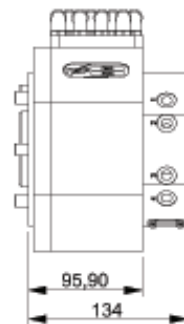
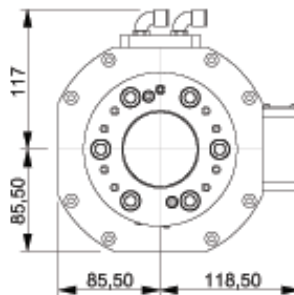
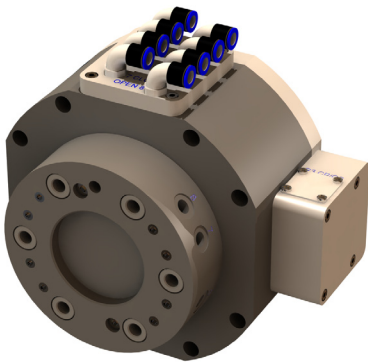
S100-4:



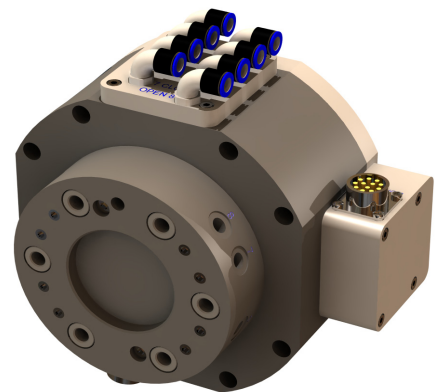
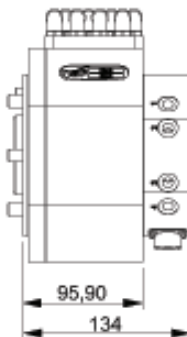
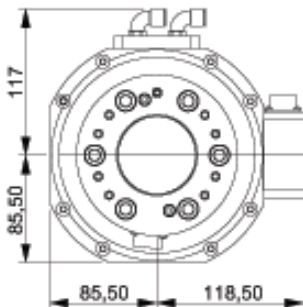
S100-4E:



S100-8:



S100-8E:



B0410-1:1, Sep 2012

Robot System Products AB offers complete, standardized media supply solutions for most robot-based automation. We design, manufacture, and market a wide range of standard robot peripherals such as tool changers, swivels, hose packages, vacuum grippers and die-casting systems throughout the world.

Visit us at www.robotssystemproducts.com