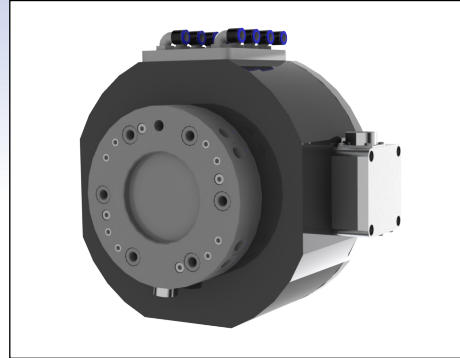
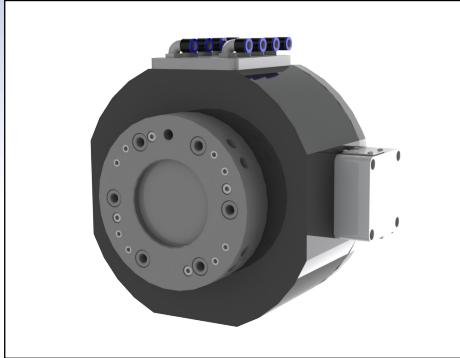




# Material handling Swivel S250



## Swivels

The new generation of Swivels provide air supply and electrical signals without limiting your robots motion capabilities. You can spin the 6:th axis free from hoses, cables and other obstacles. The low weight, high corrosion resistance and minimum servicing will shorten your cycle-times, enhance your productivity and minimize downtime in any application involving substantial robot motions.

## Advantages:

- No limitation of robot working space
- Fast and efficient retooling
- Minimum installation time
- Easier to reach tight positions due to fixed hosing and slim design
- Accurate off-line programming due to full control of hose movements

## Technical data

Swivel	Part no.	Handling capacity (kg)	Mechanical interface	Air ducts	Electrical signals	Weight (kg)	Max rpm	Max torque (Nm)
S250-8	P6415	250	ISO 9409-1-125-6-M10	8	-	11,8	-	2500
S250-8E	P6416	250	ISO 9409-1-125-6-M10	8	18	12,0	-	2500

## Air ducts

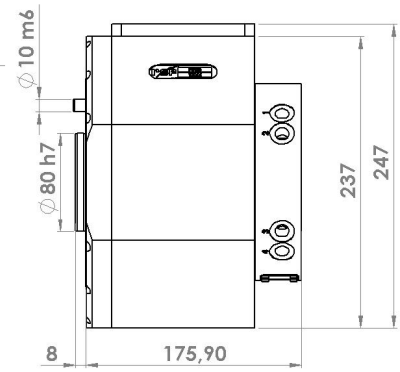
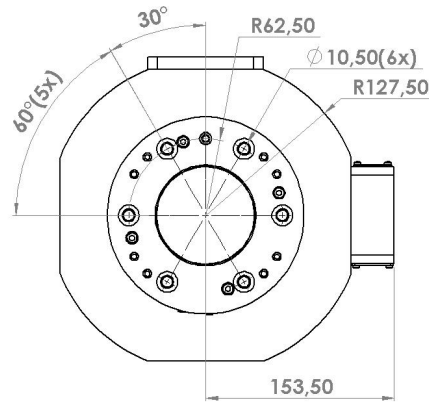
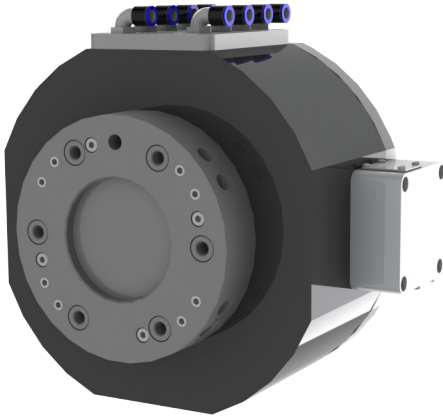
Max air pressure	10 bar
Tool change function	?-10 bar
Air flow	1600 l/min
Air quality	Oil-clean and waterless filtered air, max 25 µm
Air connections	Robotside: G 1/4" / Toolside: G 1/4"

## Electrical signals

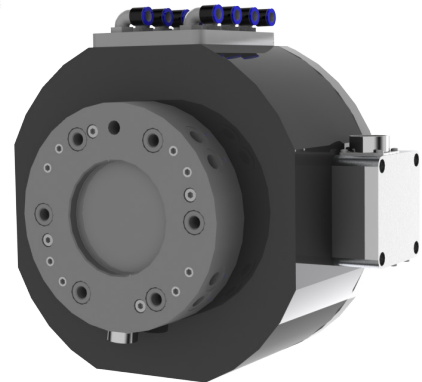
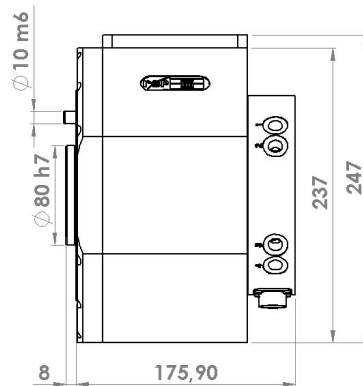
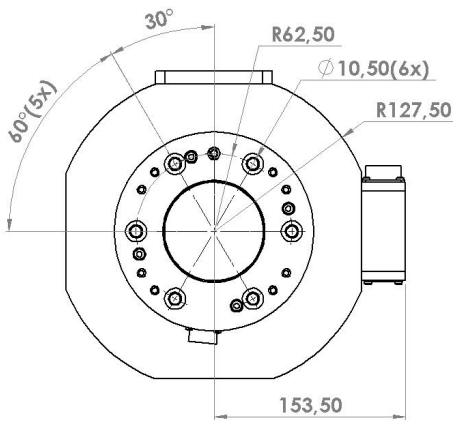
Max voltage	60 V
Max current	2,0 A
Connections	Robotside: 23 pole Souriau / Toolside: 19 pole Souriau

# Dimensional drawings

## S250-8:



## S250-8E:



B6415-1:1, Sep 2012

Robot System Products AB offers complete, standardized media supply solutions for most robot-based automation. We design, manufacture, and market a wide range of standard robot peripherals such as tool changers, swivels, hose packages, vacuum grippers and die-casting systems throughout the world.

Visit us at [www.robotssystemproducts.com](http://www.robotssystemproducts.com)