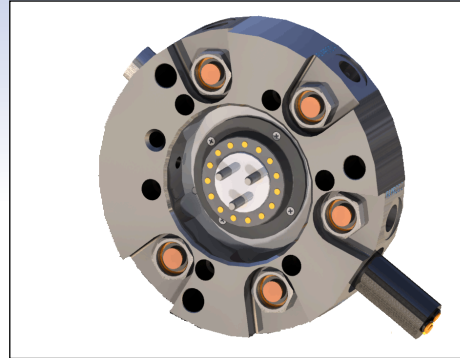
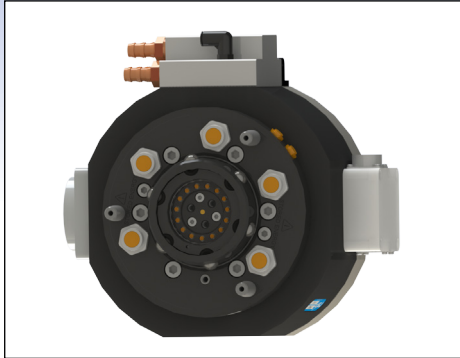


Spot welding Swivel with Tool Changer STC250-SWP



Swivels with Tool changers

The swivels with Tool changers combines the best of both worlds to maximize the flexibility and productivity. Proven and robust design ensures the highest possible reliability without limiting the robots performance or working range. These products are the obvious choice in applications that involve welding guns or material handling tools and a lot of robot movement.

Advantages:

- No limitation of robot working range
- Fast and efficient retooling
- Minimum installation time
- Easier to reach tight positions thanks to fixed hosing and slim design
- Accurate off-line programming due to full control of hose movements

Technical data

Tool Changer	Part no.	Handling capacity (kg)	Mechanical interface	Air/Water Ducts	Electrical signals	Weight (kg)	Corresponding Tool attachment	Part no.	Weight (kg)	Max torque (Nm)
STC250-SWP	P6402	250	ISO 9409-1-125-6-M10	2/3	18	14,7	TA250-SWP	P6404	2,7	1790
							TA250-SWP	P6405	2,8	1790

Air ducts

Max air pressure	10 bar
Tool change function	6 - 10 bar
Air flow	2000 l/min
Connections	Robotside: G 1/2" / Toolside: G 1/2"

Water

Max water pressure	10 bar
Water flow	16 l/min
Connections	Robotside: G 1/2" / Toolside: G 1/2"

Electrical signals

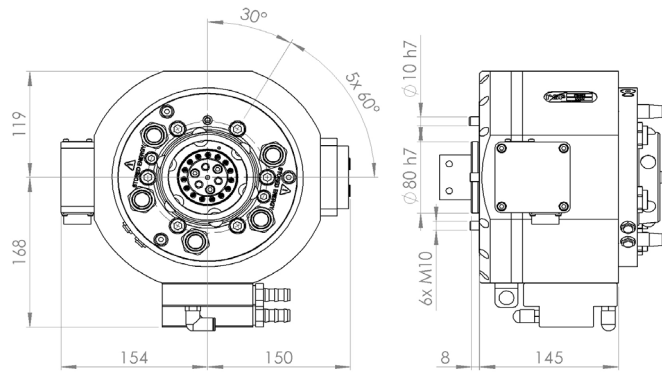
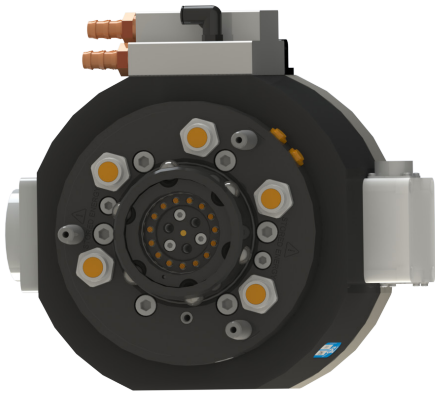
Max voltage	60 V
Max current	2 A
Connections	Robotside: 23 pole Souriau / Toolside: 19 pole Souriau

Weld power

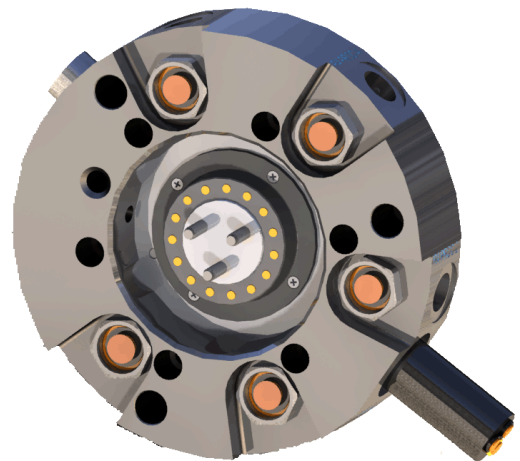
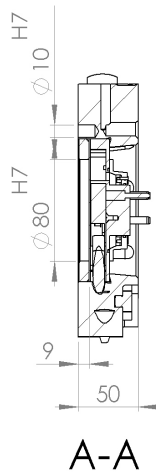
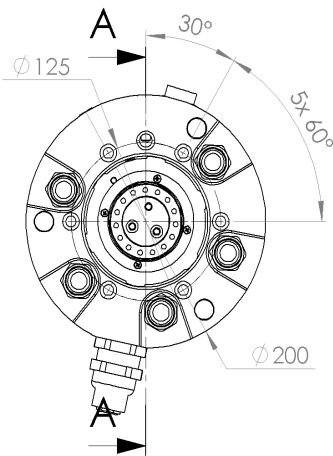
Max voltage	690 V
Max current	135 A
Connections	Robotside: RSP / Toolside: cable

Dimensional drawings

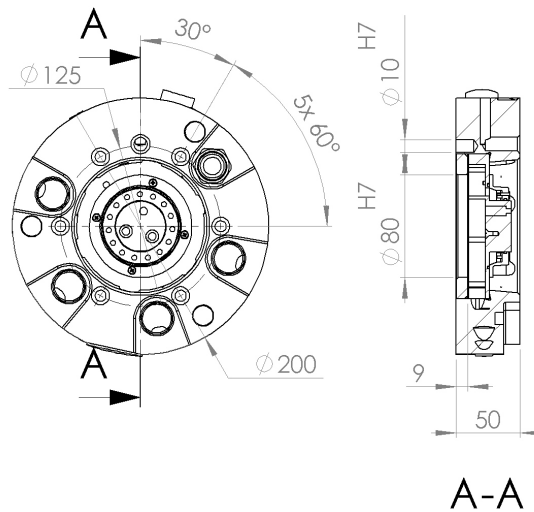
STC250-SWP:



TA250-SWP:



TA250-SWP:



B6402-1:1, Sep 2012

Robot System Products AB offers complete, standardized media supply solutions for most robot-based automation. We design, manufacture, and market a wide range of standard robot peripherals such as tool changers, swivels, hose packages, vacuum grippers and die-casting systems throughout the world.

Visit us at www.robotssystemproducts.com