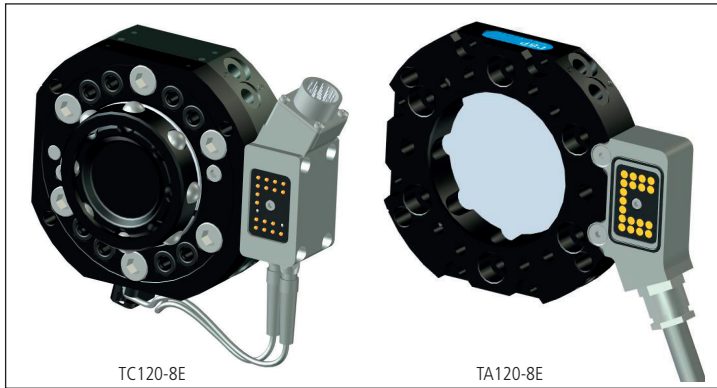


Tool Changer

TC120

Tool changers | Swivels | Swivels with tool changer | Grippers | Hose packages | Valve units | Tool systems



Advantages

- Robust design for high torque applications
- Fast docking with high tolerance
- Absolute positioning repeatability
- 3D-models for Robot CAD-systems
- Low maintenance and high uptime

Description

Robot System Products tool changers are designed to maximize the flexibility and reliability of your robot fleet. Robustness and high safety are combined with low weight and compactness. The patented locking device TrueConnect™ has a minimum of play and gives a practically, through the lifespan, absolute positioning repeatability. RSP tool changers make it possible for you to perform tool changing operations continuously day out and day in.

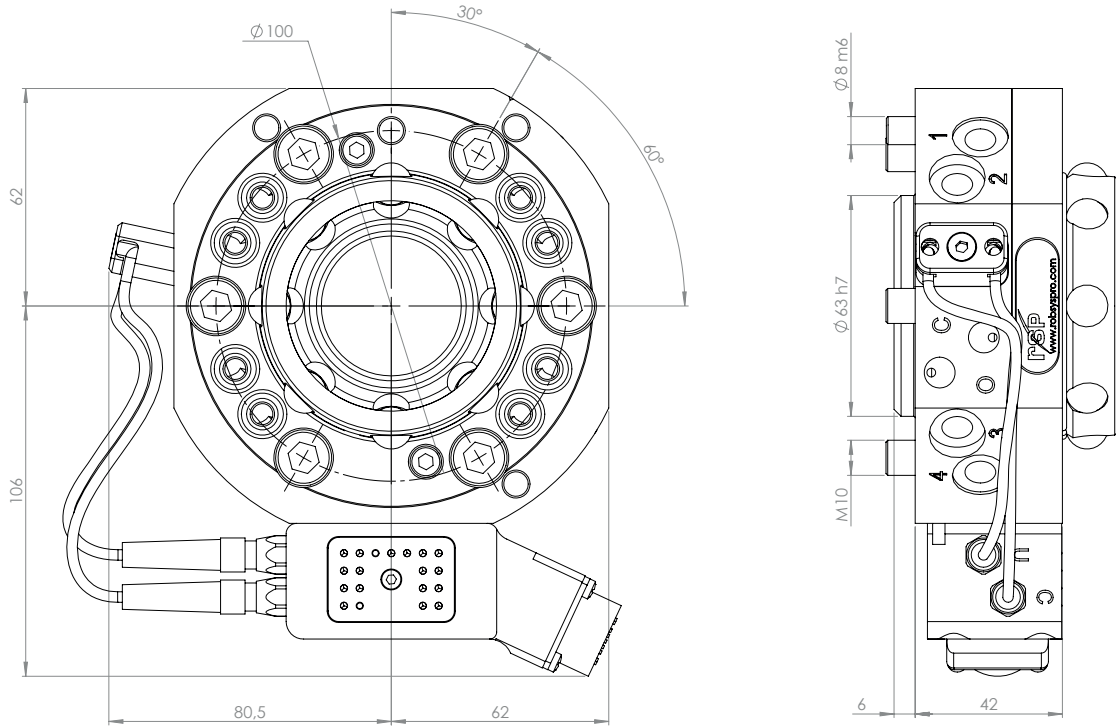
Technical data

Article	Part No	Handling capacity (kg)	Air ducts	Mechanical Interface	Electrical signals	Weight (kg)	Mz (Dynamic)	Mx/My (Dynamic)
Tool Changer								
TC120-8	P1401	120	10	ISO 9409-1-100-6-M10	-	3.4	± 1000 Nm	± 1000 Nm
TC120-8E	P1403	120	10	ISO 9409-1-100-6-M10	19	3.6	± 1000 Nm	± 1000 Nm
Tool Attachment								
TA120-8	P1402	120	8	ISO 9409-1-100-6-M10	-	1.8	± 1000 Nm	± 1000 Nm
TA120-8E	P1404	120	8	ISO 9409-1-100-6-M10	17	1.9	± 1000 Nm	± 1000 Nm

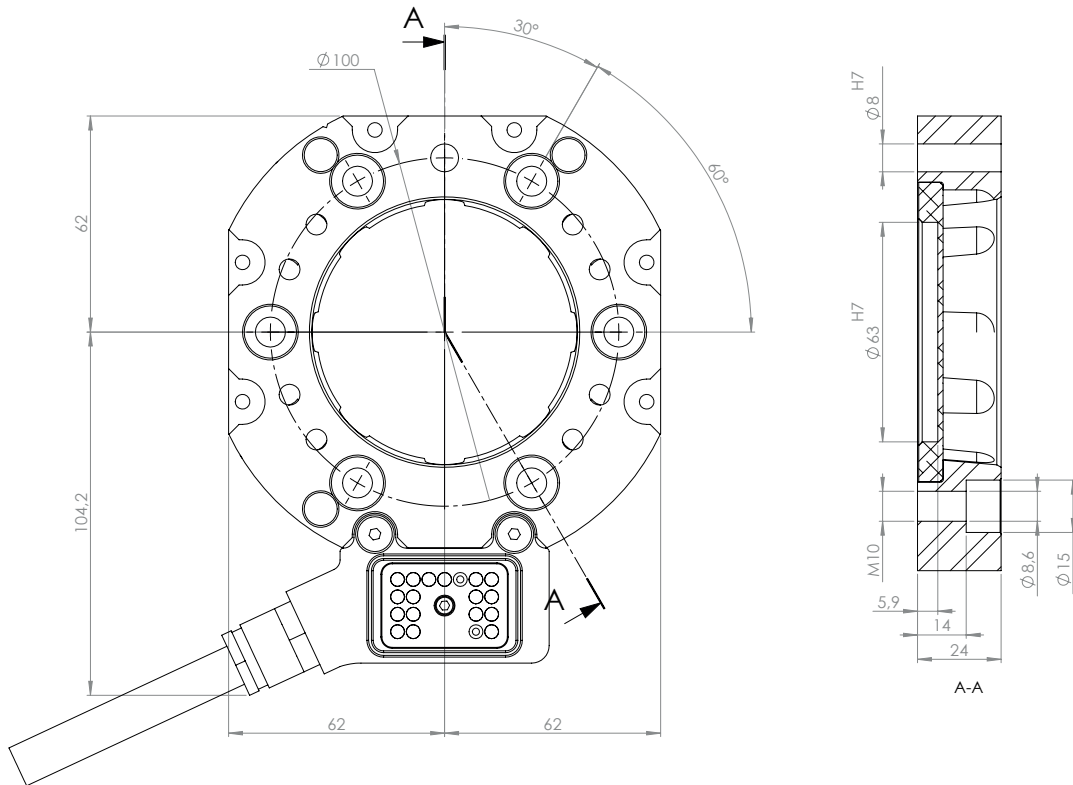
Air ducts	
Max air pressure	10 bar
Air quality	Oil-clean and waterless filtered air, max 25 µm particle content
Air flow / channel	800 l/min
Air connections	G 1/8"

Electrical Signals	
Max voltage	60V
Max current	1A
Connections	Robot side: 19P Souriau Compact Tool side: 1.0m 17×0.34mm ² cable

TC120-8E



TA120-8E



B0404-1_2



Robot System Products is a global leader in high-performance industrial robot peripheral products. Our expertise is to provide tested and field proven robotic system solutions that improve robot flexibility, utilization and uptime.

Visit us at www.rsp.eu.com

