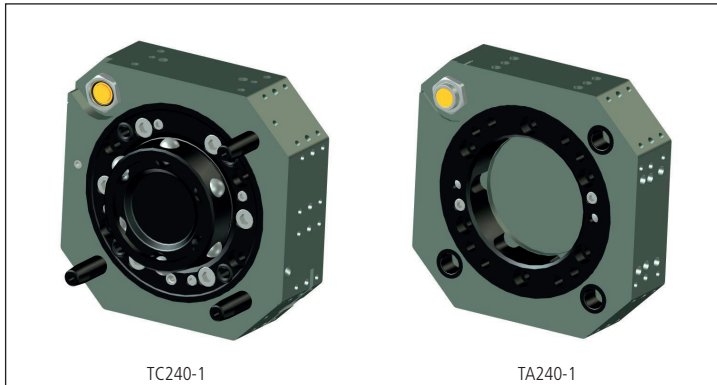


Tool Changer

TC240

Tool changers | Swivels | Swivels with tool changer | Grippers | Hose packages | Valve units | Tool systems



Advantages

- Robust design for high torque applications
- Fast docking with high tolerance
- Absolute positioning repeatability
- 3D-models for Robot CAD-systems
- Low maintenance and high uptime

Description

Robot System Products tool changers are designed to maximize the flexibility and reliability of your robot fleet. Robustness and high safety are combined with low weight and compactness. The patented locking device TrueConnect™ has a minimum of play and gives a practically, through the lifespan, absolute positioning repeatability. RSP tool changers make it possible for you to perform tool changing operations continuously day out and day in.

Technical data

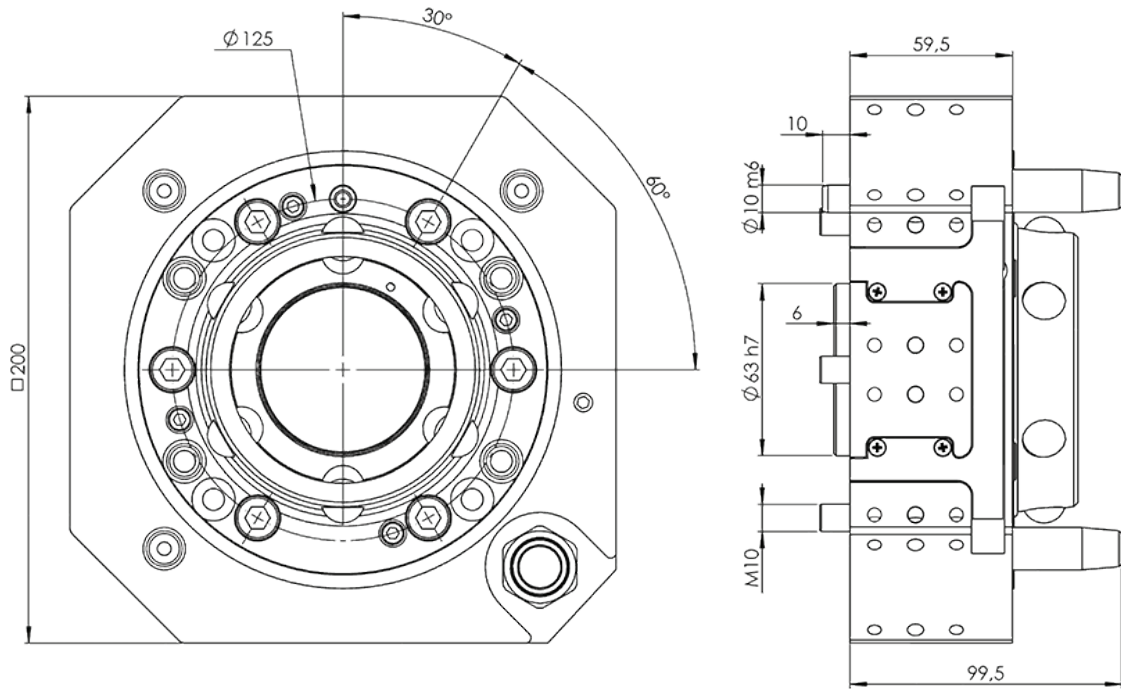
Article	Part No	Handling capacity (kg)	Air ducts	Mechanical Interface	Electrical signals	Weight (kg)	Mz (Dynamic)	Mx/My (Dynamic)
Tool Changer								
TC240-1	P6701A	240	3	ISO 9409-1 125-6-M10*	-	8.3	± 2000 Nm	± 2400 Nm
TC240-1	P7701	240	3	ISO 9409-1 125-10-M10*	-	8.3	± 2000 Nm	± 2400 Nm
Tool Attachment								
TA240-1	P6702	240	1	ISO 9409-1 125-6-M10*	-	5.1	± 2000 Nm	± 2400 Nm
TA240-1	P7702	240	1	ISO 9409-1 125-10-M10*	-	5.1	± 2000 Nm	± 2400 Nm

Air ducts	
Max air pressure	10 bar
Air quality	Oil-clean and waterless filtered air, max 25 µm particle content
Air flow / channel	2000 l/min
Air connections	Robot side: 1x G 1/2", 2x G 1/8" Tool side: 1x G 1/2"

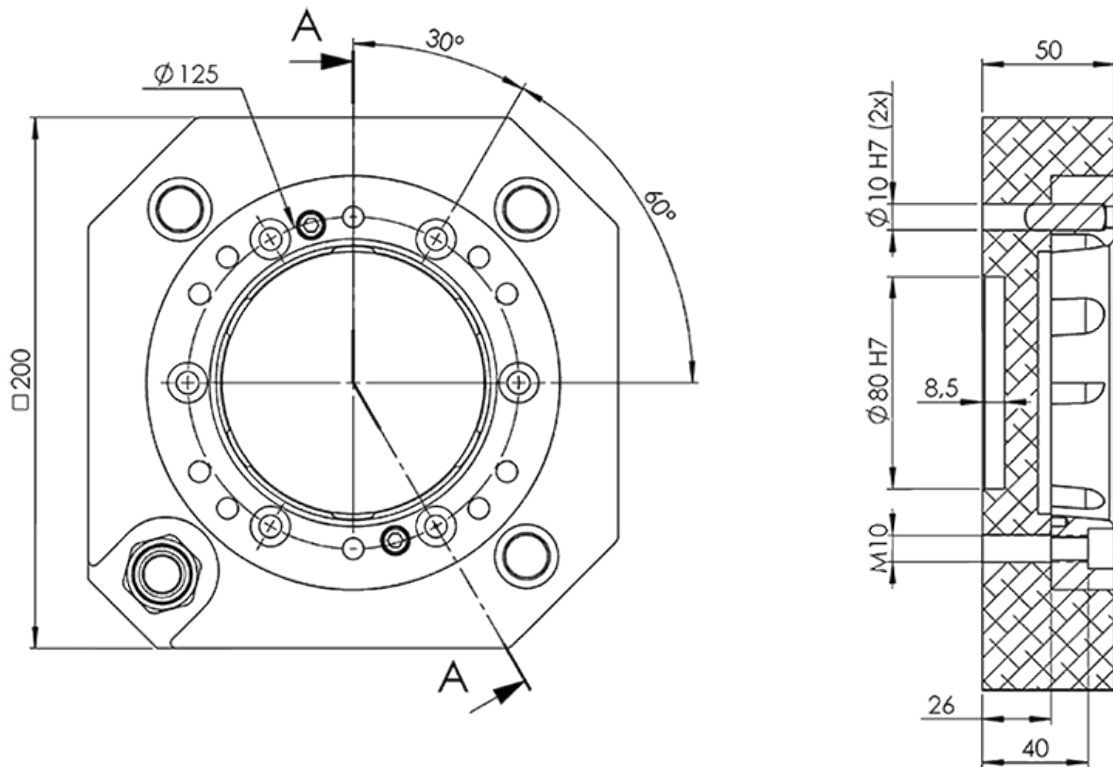
Electrical Signals	
Max voltage	-
Max current	-
Connections	-

* (center tap both Ø63 and Ø80)

TC240-1



TA240-1



B6701-1_2



Robot System Products is a global leader in high-performance industrial robot peripheral products. Our expertise is to provide tested and field proven robotic system solutions that improve robot flexibility, utilization and uptime.

Visit us at www.rsp.eu.com

